

Touch Evo Tablet Stand

The Touch tablet stand has been carefully designed to securely display your tablet without any case, clamps or cables needed. Display your tablet as it is was designed. slim, sleek and unobstructed.



Contents

Universal.....	3
Cable Management.....	4
Hinge Options.....	5
Movement.....	6
Base Options.....	7
Wall Mountable	8
Recommended Positioning	9
Custom Branding Solutions.....	10
Pre-Assembled	11
Specifications	12

Universal

The Touch tablet stand is suited to all models of iPad and Android tablets courtesy of a simple and minimalist design. Easily secure your device using your choice of two different strong 3M adhesives included with the stand.



SAMSUNG



Lenovo



amazon

ASUS



Cable Management

Easily charge your device with internal cable routing through the Touch bracket and down the stand. The cable can either go through the mounting surface or out the back of the stand depending on your use case. Also, all your device ports and buttons are fully accessible with the Touch Evo tablet stand.





Evo Pole
Fixed 45* angle



Evo X Pole
Tilt and Rotation movement



40° Tilt



90° Rotation

Evo X Movement

Evo X Pole Only

The Evo X pole rotates between portrait and landscape and also features a 40-degree tilt for a functional and ergonomic design. This stand also features a position lock on both tilt and rotate movements for a fixed option.



Screw Mount



Freestanding



Wall Mountable

Screw Mount base only

The Evo Screw Mount base is also wall mountable. With cable management options to run through the wall or alternatively out the base to feed down the wall.



Recommended
counter height for
the Touch Evo

29.53" - 43.31" (75 - 110 cms)



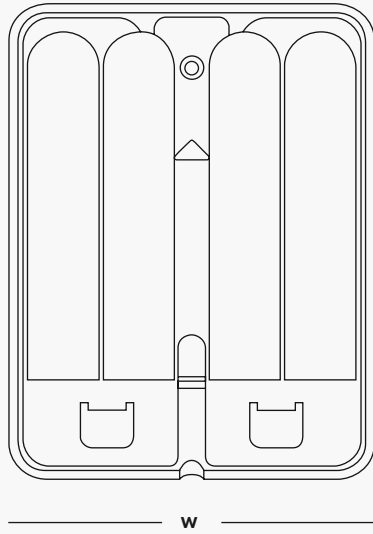
Custom Branding Solutions

Add your logo on the Touch Evo with a silk-screen finish on our powder coated molded metal bases or on the front facing display.

Pre-Assembled

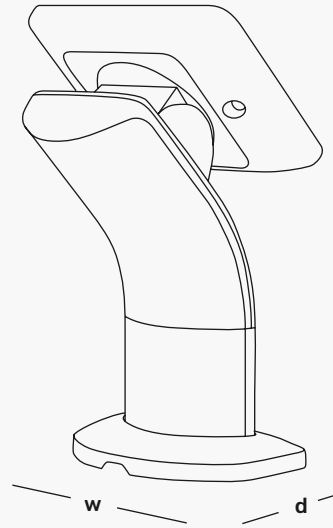
Want an easy installation process without having to worry about parts, screws and lengthy assembly guides? We thought so. All products (with the exception of the Floor Stand) arrive fully pre-assembled for trouble-free large scale roll outs.





w - 3.82" (97mm)

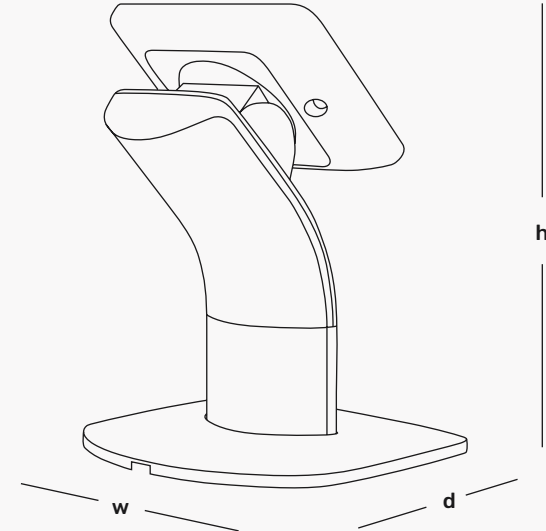
h - 5" (127mm)



w - 4.25" (108mm)

d - 2.95" (75mm)

h - 8.03" (204mm)



w: 6.30" (160mm)

d: 5.83" (148mm)

h: 8.03" (204mm)