

The VESA Mount

The VESA Mount is designed to fit any monitor or display with VESA mounting capabilities, ensuring easy compatibility with a wide range of devices.



Contents

Durable Construction	3
Wall Mountable	4
Stand Options.....	5
Supported VESA Size	6
Specifications	7



Durable Construction

Constructed from durable materials, this VESA Mount is built to last and provides a stable, secure base for your monitor or display, ensuring peace of mind and reducing the risk of accidents or damage.



Wall Mountable

Wall mountable options are available with the VESA mount. With cable management options to run through the wall or alternatively out the base to feed down the wall.

Stand Options

Desktop



Evo Desktop Stand



Nexus Desktop Stand

Stand Options

Wall



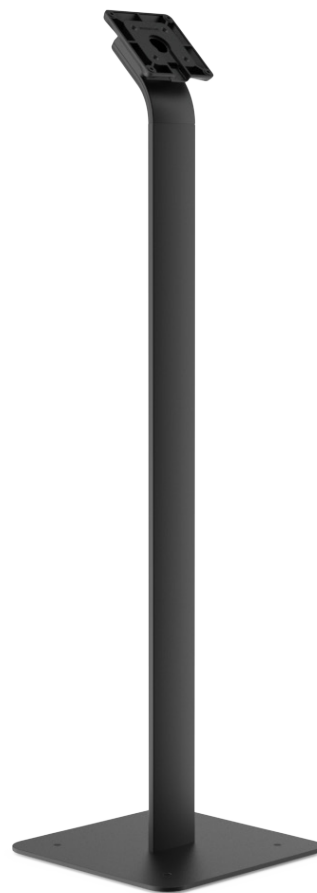
Evo Wall Mount



Nexus Wall Mount

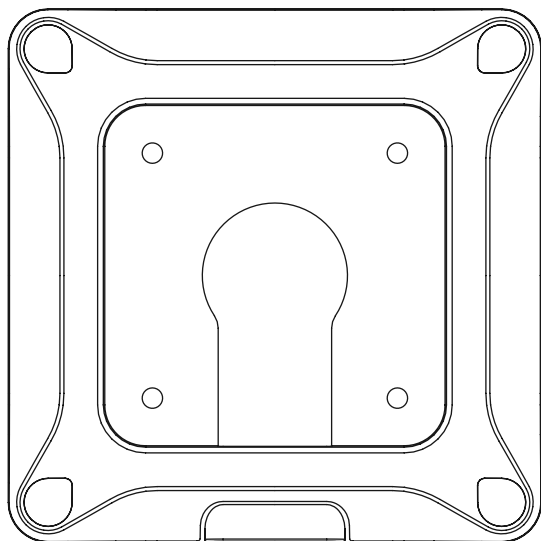
Stand Options

Floor



Evo Floor Stand

Supported VESA Size



100x100mm

VESA compatible

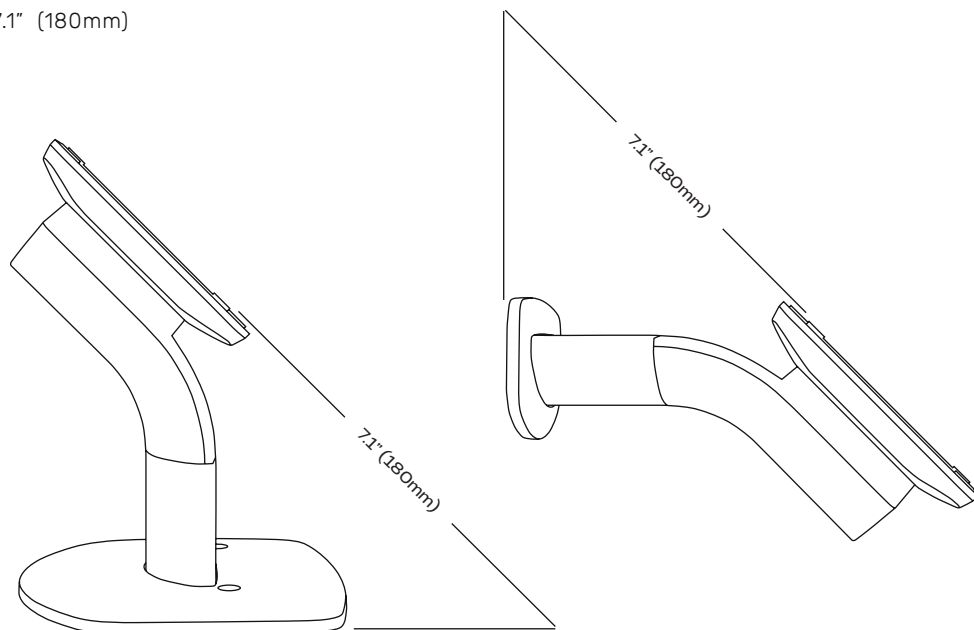
Not sure if your monitor is compatible? Contact us to find a solution for you.

Specifications

Surface to nearest VESA hole measurement for each stand.

Evo Stand

7.1" (180mm)



Nexus Stand

5.9" (150mm)

